

# HAIOS

• Order date

• Order number

• Serial ID

• Dealer

## Customer details

• Gender   Female   Male

• Last name  • First name

• Country  • City

• Address  • Postcode

• Phone  • E-mail

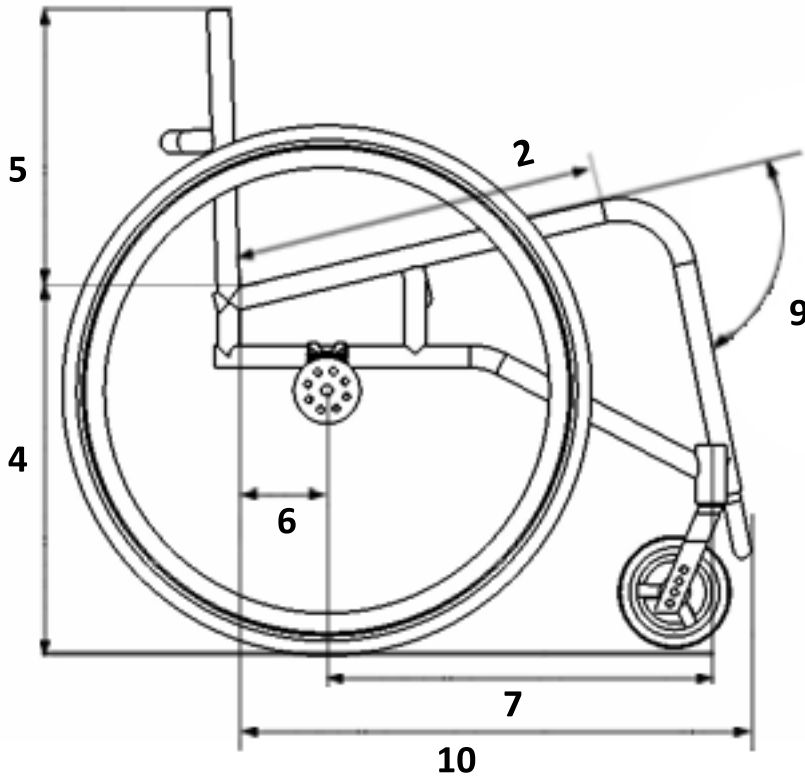
• Date of birth  • Weight  Kg • Height  cm

• Degree of disability

• Specific  
Characteristics



# HAIOS



1. Seat width (mm) .....
2. Seat depth (mm) .....
3. Wheelchair front seat height (mm) .....
4. Wheelchair rear seat height (mm) .....
5. Backrest height (mm) .....
6. Axle position (mm) .....
7. Distance between axles (mm) .....
8. Distance between directional wheels (mm) .....
9. Angle between seat - footrest (°) .....
10. Wheelchair total length (mm) .....

• Backrest / Degrees (°) .....

Fixed  Folding

• Rear wheel camber (°) .....

• Front wheel diameter (mm)

Φ80     Φ100     Φ125     Φ150

• Rear wheel diameter (inch)

20"     22"     24"     26"

• Shoe width (mm) .....



• Distance between footplate - leg (mm) .....

