

RADIOS

- Order date
- Order number
- Serial ID
- Dealer

Customer details

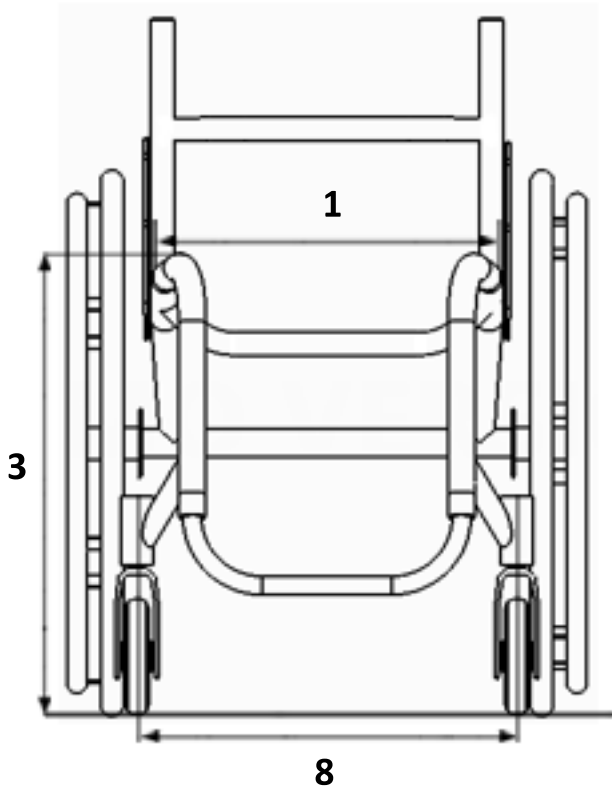
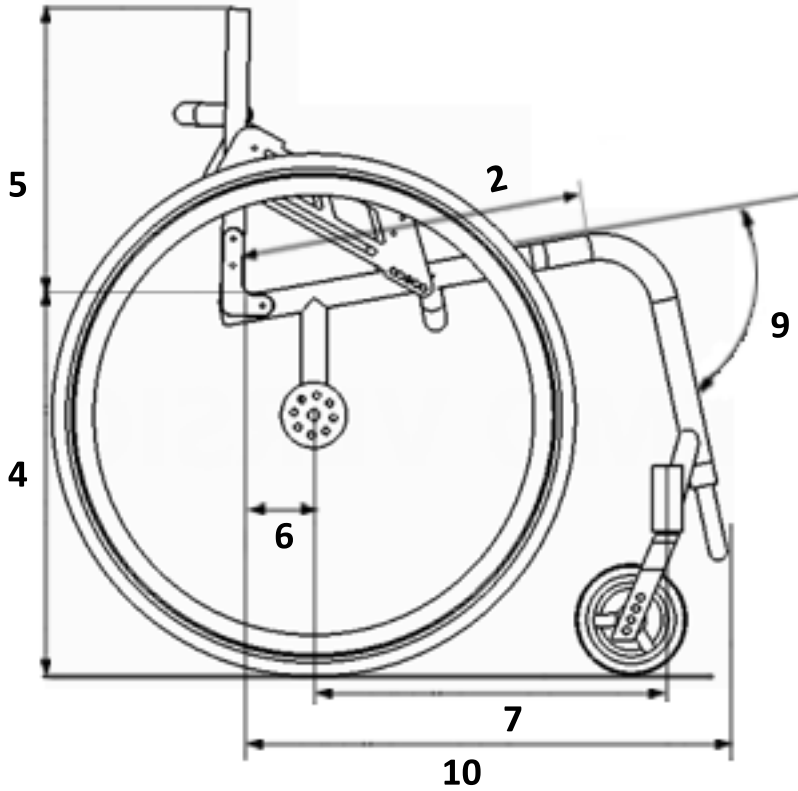
- Gender ♀ Female ♂ Male
- Last name
- First name
- Country
- City
- Address
- Postcode
- Phone
- E-mail

- Date of birth
- Weight Kg
- Height cm
- Degree of disability

- Specific Characteristics



RADIOS



1. Seat width (mm)
2. Seat depth (mm)
3. Wheelchair front seat height (mm)
4. Wheelchair rear seat height (mm)
5. Backrest height (mm)
6. Axle position (mm)
7. Distance between axles (mm)
8. Distance between directional wheels (mm)
9. Angle between seat - footrest (°)
10. Wheelchair total length (mm)

• Backrest / Degrees (°)

Fixed Reclining

• Drive wheels camber (°)

• Front wheel diameter (mm)

Φ80 Φ100 Φ125 Φ150

• Rear wheel diameter (inch)

20" 22" 24" 26"

• Shoe width (mm)



• Distance between footplate - leg (mm)

